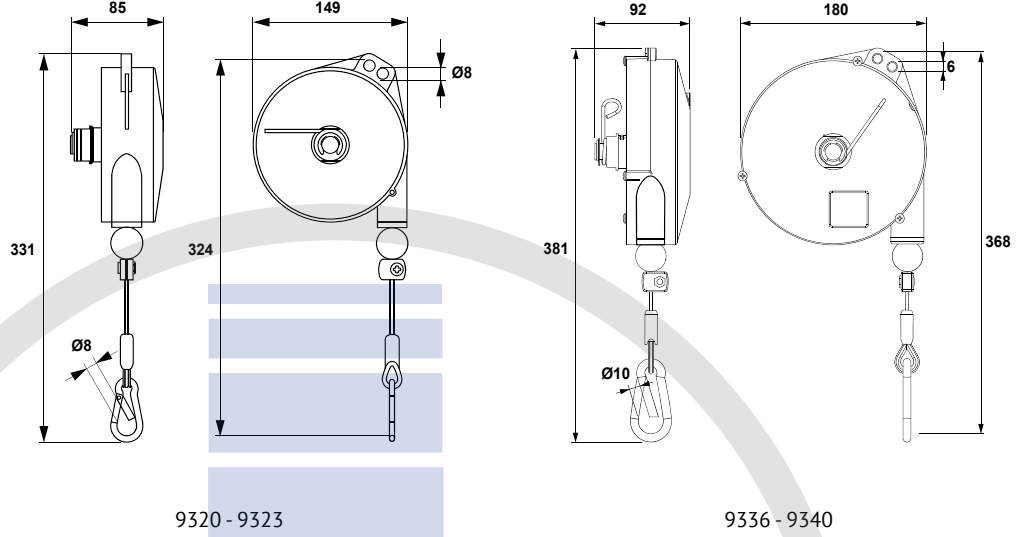


Orta Ağırlıkta Yükler için Balansör Tool Balancer, Medium-Weight Design



Model Type	Çalışma Yüğü WLL (kg)	Halat Boyu Length (m)	Ağırlık Weight (kg)
9320	1,0-2,5	2,0	2,0
9321	2,0-4,0	2,0	2,0
9322	4,0-6,0	2,0	2,3
9323	6,0-8,0	2,0	2,5
9336	2,0-4,0	2,5	2,9
9337	4,0-6,0	2,5	3,2
9338	6,0-8,0	2,5	3,5
9339	8,0-10,0	2,5	3,7
9340	10,0-14,0	2,5	4,0
9346	2,0-4,0	2,5	3,0
9347	4,0-6,0	2,5	3,3
9348	6,0-8,0	2,5	3,6
9349	8,0-10,0	2,5	3,8
9350	10,0-14,0	2,5	4,1